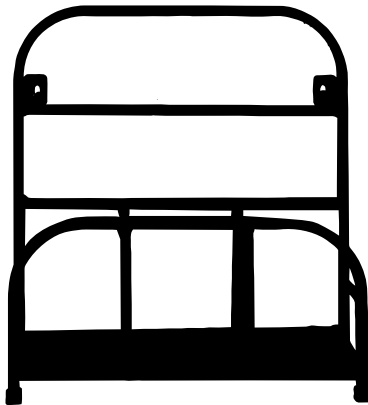
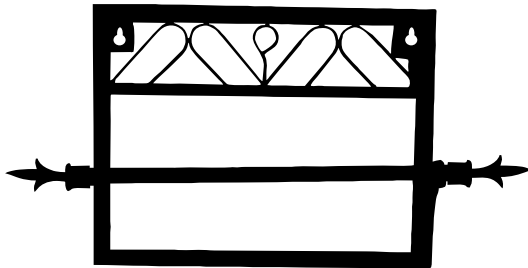
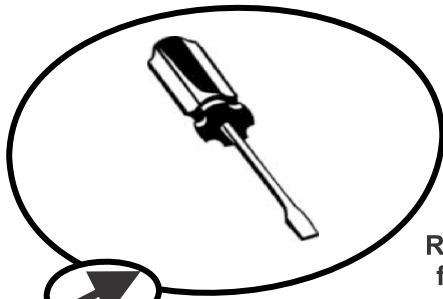


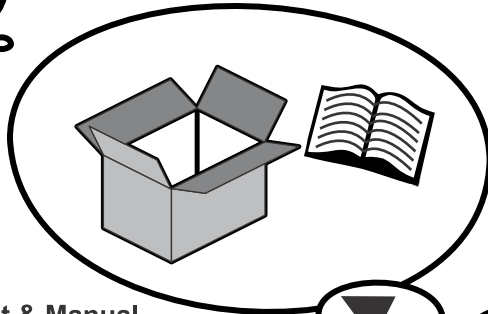
Angara Tissue Roll Holder and Jar Rack

Assembly Instructions





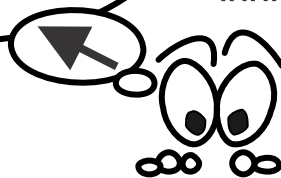
Required tools
for assembly



Product & Manual
How to assemble?

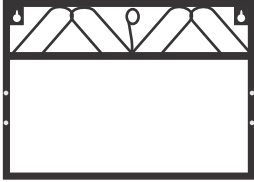





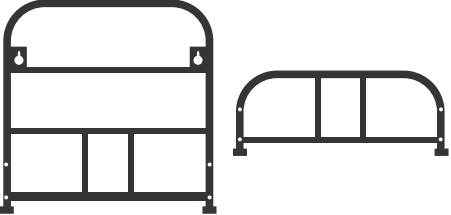



To watch a video on
how to assemble,
please logon to
www.tidyhomz.com



Please visit us for more product details
www.TIDYhomz.com

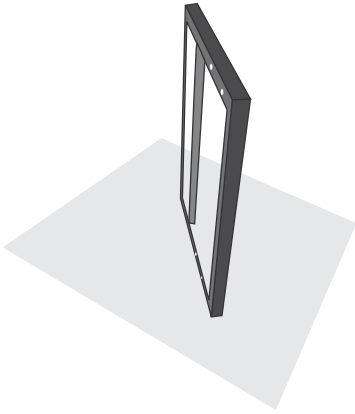
Angara Tissue Roll Holder and Jar Rack

Tissue Roll Holder Assembly			
A		Back Frame	1 Pc
B		Brackets with Screw & Round Pipe Head	2 Pcs
C		Round Pipe	1 Pc
D		Screw	4 Pcs

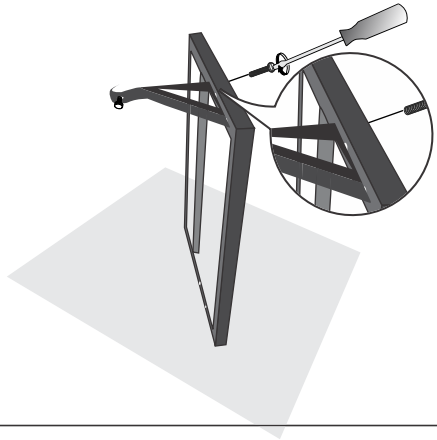
Jar Rack Assembly			
A		Back & Front Frame with Footrest	1 Pc
B		Mesh Frame 1 Pcs	
C		Supporting Pipe	2 Pcs
D		Screw	8 Pcs

Tissue Roll Holder Assembly Instruction

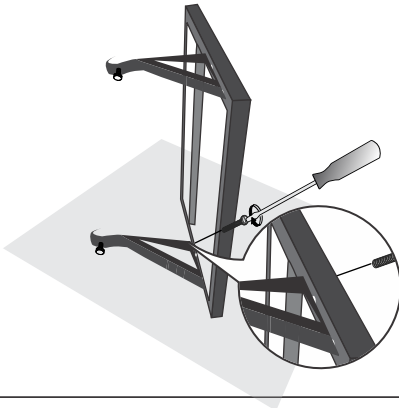
Step 1



Step 2



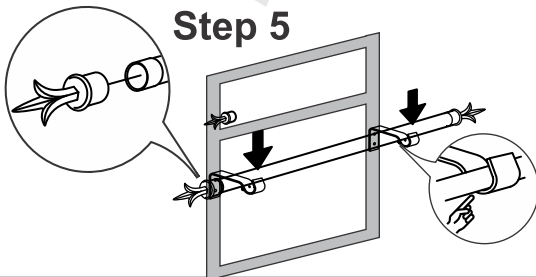
Step 3



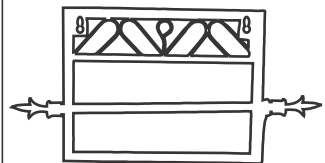
Step 4



Step 5

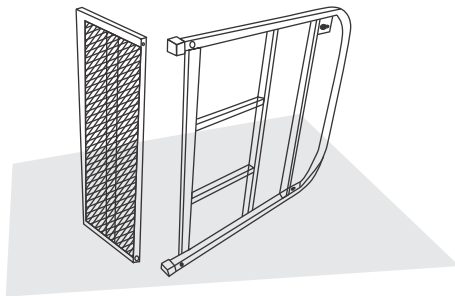


Final

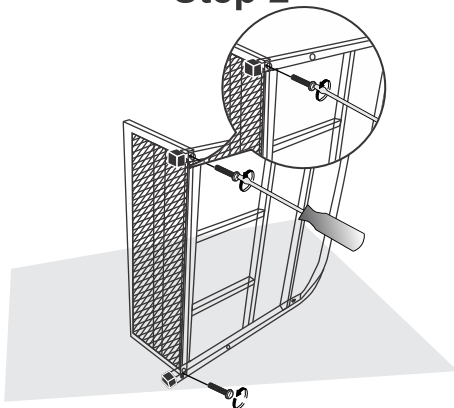


Tissue Roll Holder Assembly Instruction

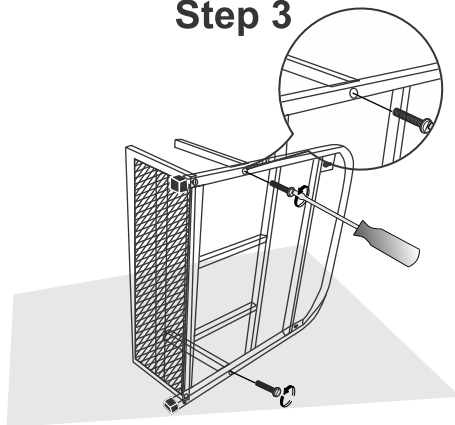
Step 1



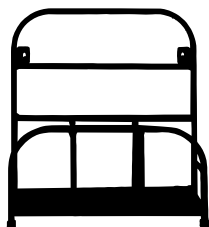
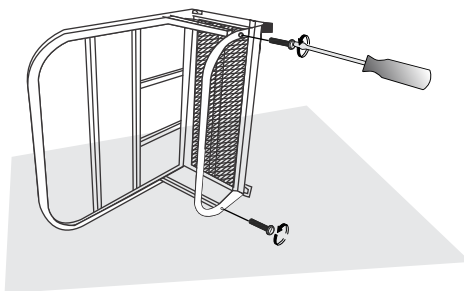
Step 2



Step 3

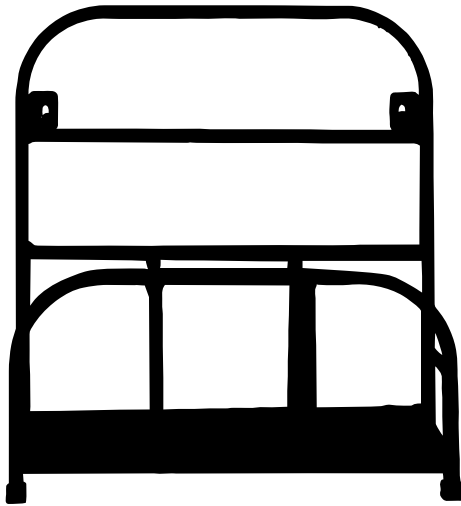


Step 4



Final

Final



Final Product





Anjali Complex, Khadkeshwar, Aurangabad - 431001 (M.S.) India

hello@tidyhomz.com

Customer Care : 1800-233-1881

www.tidyhomz.com