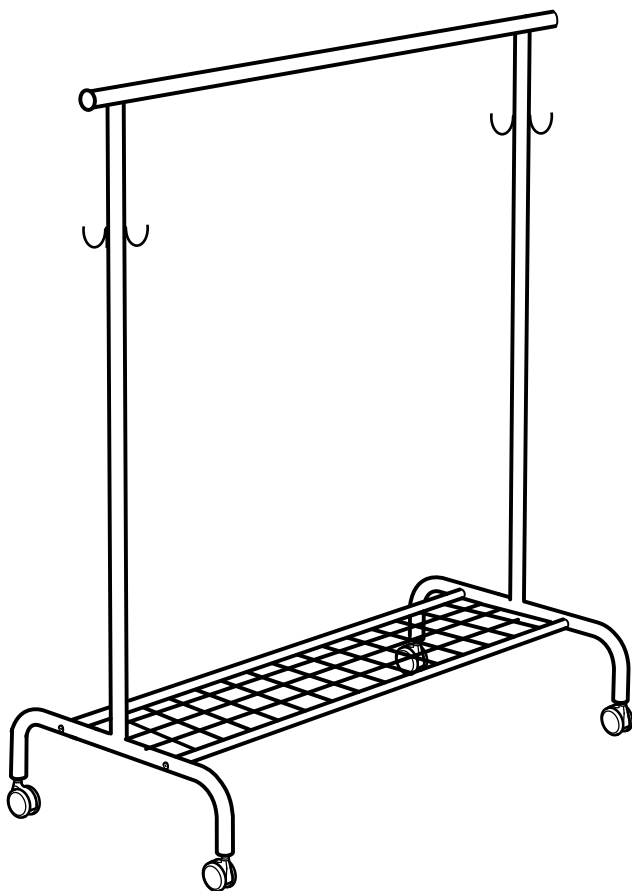
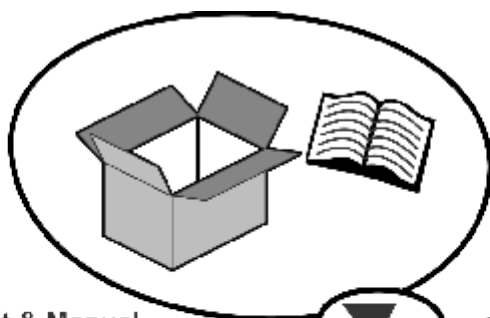


AMUR CLOTHES RAIL

Assembly Instructions





Product & Manual
How to assemble?



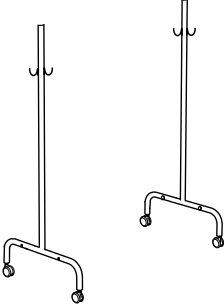

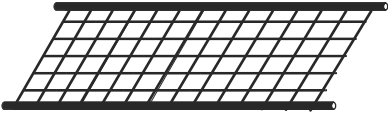

To watch a video on
how to assemble,
please logon to
www.tidyhomz.com



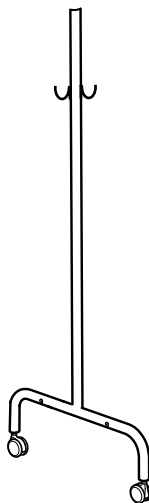
Please visit us for more product details

www.TIDYhomz.com

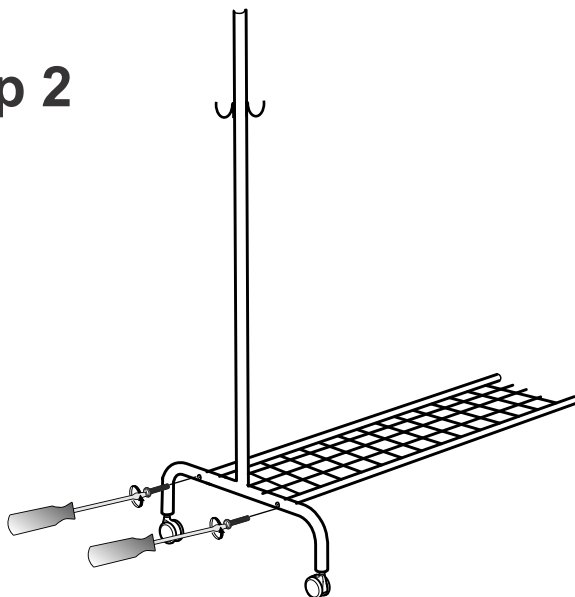
Amur Clothes Rail

<p>A</p> 	<p>Frame 1 & 2</p>	<p>2 Pcs</p>
<p>B</p> 	<p>Cloth Rail</p>	<p>1 Pcs</p>
<p>C</p> 	<p>Wire Frame</p>	<p>1 Pcs</p>
<p>D</p> 	<p>Screw - 6 Nos.</p>	

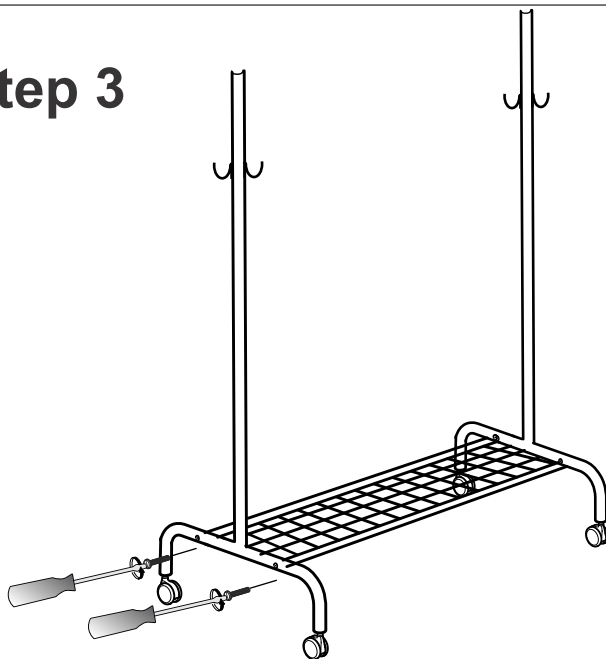
Step 1



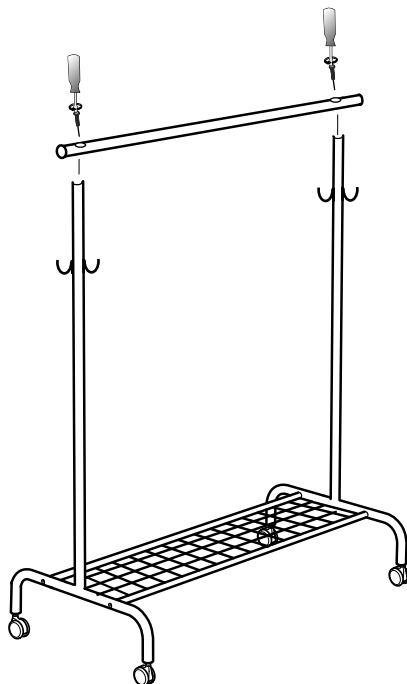
Step 2



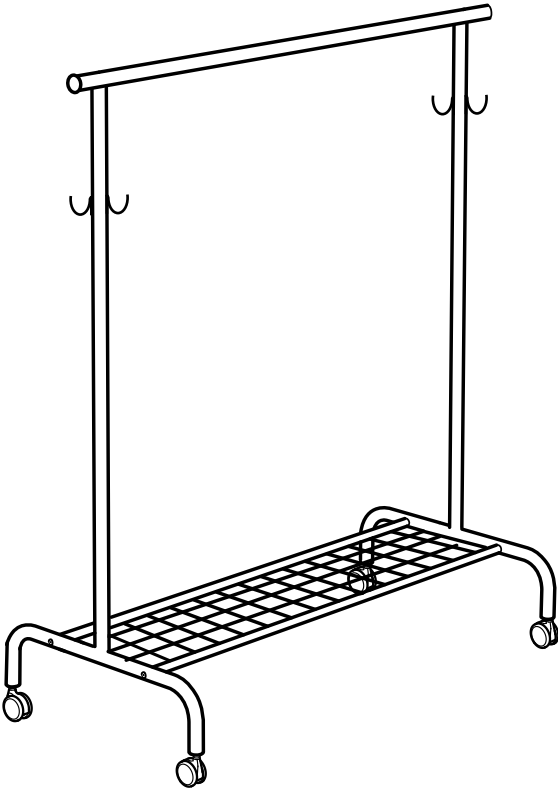
Step 3



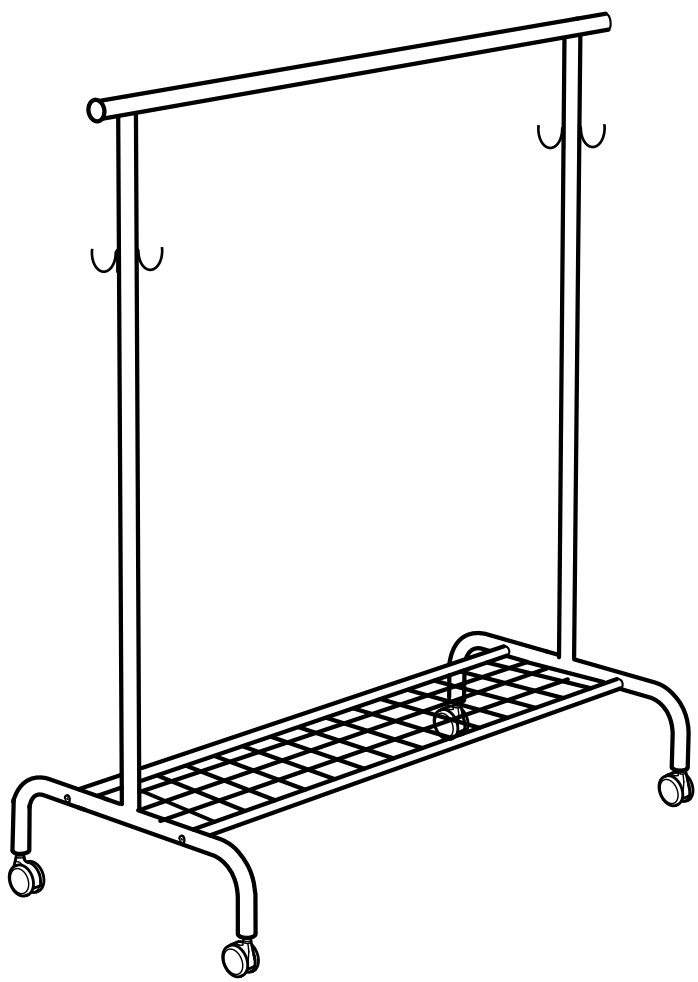
Step 4



Your Cloth Rail are now ready to use!



Final Product





Anjali Complex, Khadkeshwar, Aurangabad - 431001 (M.S.) India

hello@tidyhomz.com

Customer Care : 1800-233-1881

www.tidyhomz.com